

The wide range of HR toroidal transformers goes from 8VA to 20KVA, and their configuration of primary/secondary single, dual or multiple allow get any required configuration.

The toroidal transformers have a lot more advantages than the conventional and encapsulated ones. Their use is highly recommended due to their improvements in radiation, relation between volume and power, and assembly advantages.

- **T002~T004 Series.** 20-40VA
- **T005~T006 Series.** 50-60VA
- **T008~T012 Series.** 80-120VA
- **T016~T033 Series.** 160-330VA
- **T050 Serie.** 500VA
- **T075 Serie.** 750VA
- **T100 Serie.** 1000VA
- **T150 Serie.** 1500VA
- **T200 Serie.** 2000VA
- **T300 Serie.** 3000VA

Non-standard and higher power values on request.



TECHNICAL SPECIFICATIONS

- Designed and manufactured according regulations EN61558-1
- Double isolation copper wire
- Thermal class materials B (130°C/266°F)
- Ambient temperature of 40°C/104°F
- Magnetic core of grain-oriented silicon steel
- Superior isolation at 5M at 500 Vdc
- Primary Dielectric strength / superior secondary at 3 KV , 1min.
- Winding identification for colour references

Assembly Kit included

T002~T004 Series

External protection

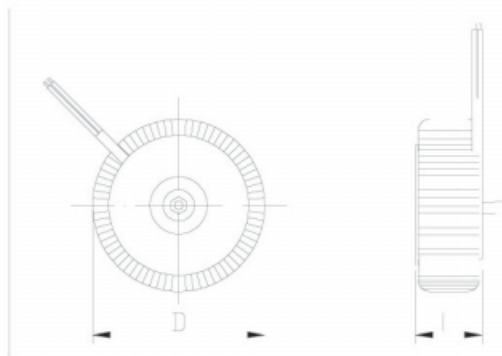
T002 Serie.
20VA – 40°C/B

T003 Serie.
30VA – 40°C/B

T004 Serie.
40VA – 40°C/B

According regulations:
EN61558 EN60950 EN60472 UL506
UL5085

PRIMARY(V)
115/230
SINGLE SECONDARY(V)
6/10/12/15/18/24/30/35/40/60/80
DOBLE SECONDARY(V)
2x6/2x10/2x12/2x15/2x18/2x24/2x30



SERIE	D-mm	H-mm
T002	80	30
T003	80	30
T004	80	33

T005~T006 Series

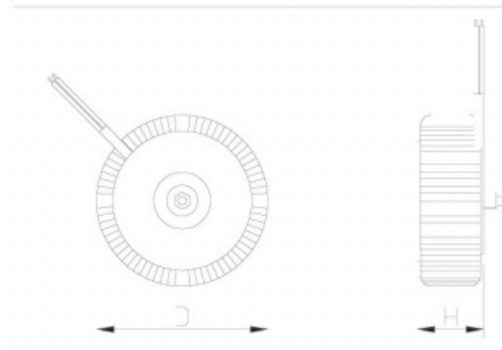
External protection

T005 Serie.
50VA – 40°C/B

T006 Serie.
60VA – 40°C/B

According regulations:
EN61558 EN60950 EN60472 UL506
UL5085

PRIMARY(V)
115/230
SINGLE SECONDARY(V)
6/10/12/15/18/24/30/35/40/60/80
DOBLE SECONDARY(V)
2x6/2x10/2x12/2x15/2x18/2x24/2x30/2x35



SERIE	D-mm	H-mm
T005	90	35
T006	90	35

T008~T012 Series

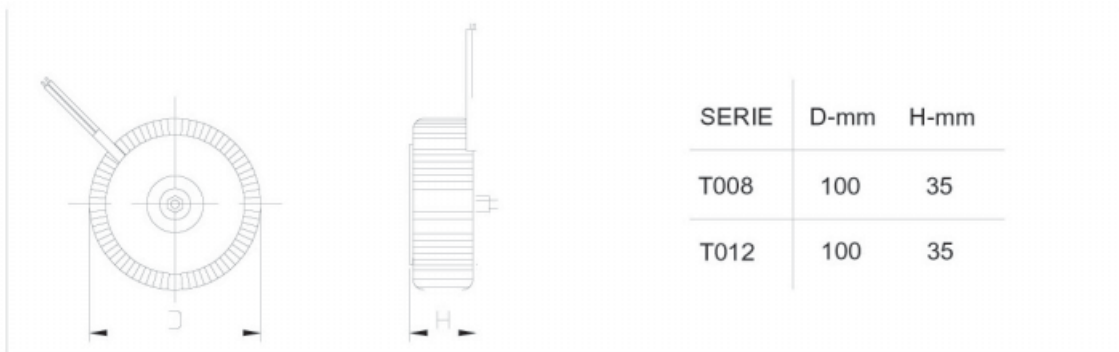
External protection

T008 Serie.
80VA – 40°C/B

T012 Serie.
120VA – 40°C/B

According regulations:
EN61558 EN60950 EN60472 UL506
UL5085

PRIMARY(V)
115/230
SINGLE SECONDARY(V)
6/10/12/15/18/24/30/35/40/60/80
DOBLE SECONDARY(V)
2x6/2x10/2x12/2x15/2x18/2x24/2x30/2x35/
2x40



T016~T033 Series

External protection

T016 Serie.
160VA – 40°C/B

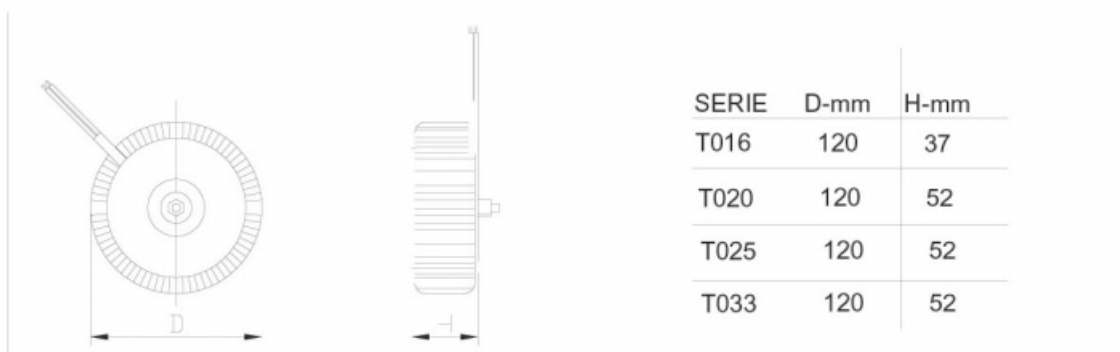
T020 Serie.
200VA – 40°C/B

T025 Serie.
250VA – 40°C/B

T033 Serie.
330VA – 40°C/B

According regulations:
EN61558 EN60950 EN60472 UL506
UL5085

PRIMARY(V)
115/230
SINGLE SECONDARY(V)
18/24/30/35/40/60/80
DOBLE SECONDARY(V)
2x10/2x12/2x15/2x18/2x24/2x30/2x35/2x40



T050 Serie

External protection

T050 Serie.
500VA – 40°C/B

According regulations:
EN61558 EN60950 EN60472 UL506
UL5085

PRIMARY(V)
115/230
SINGLE SECONDARY(V)
30/35/40/60/80
DOBLE SECONDARY(V)
2x15/2x18/2x24/2x30/2x35/2x40/2x50/2x55



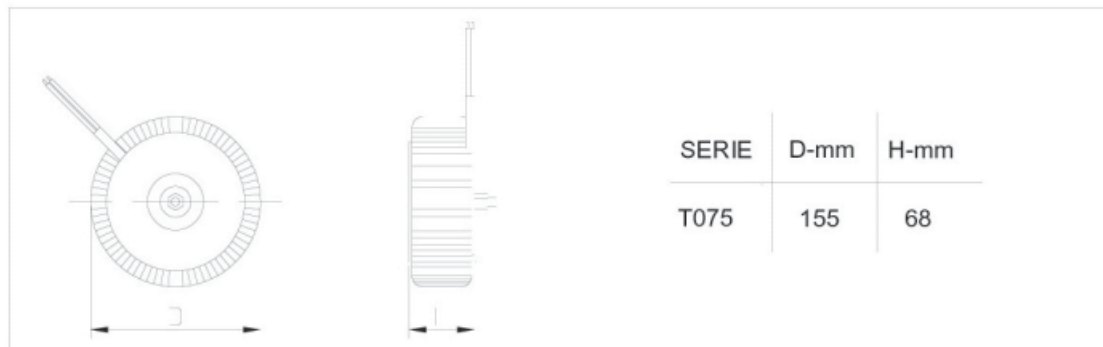
T075 Serie

External protection

T075 Serie.
750VA – 40°C/B

According regulations:
EN61558 EN60950 EN60472 UL506
UL5085

PRIMARY(V)
115/230
SINGLE SECONDARY(V)
40/60/80/100
DOBLE SECONDARY(V)
2x24/2x30/2x35/2x40/2x50/2x55/2x60



T100 Serie

External protection

T100 Serie.
1000VA – 40°C/B

According regulations:
EN61558 EN60950 EN60472 UL506
UL5085

PRIMARY(V)
115/230
SINGLE SECONDARY(V)
60/80/100/120
DOBLE SECONDARY(V)
2x30/2x35/2x40/2x50/2x55/2x60/2x80



T150 Serie

External protection

T150 Serie.
1500VA – 40°C/B

According regulations:
EN61558 EN60950 EN60472 UL506
UL5085

PRIMARY(V)
115/230
SINGLE SECONDARY(V)
60/80/100/120
DOBLE SECONDARY(V)
2x30/2x35/2x40/2x50/2x55/2x60/2x80



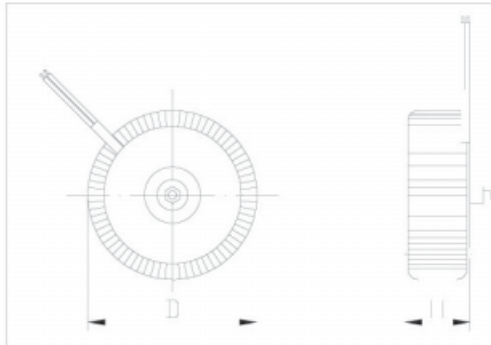
T200 Serie

External protection

T200 Serie.
2000VA – 40°C/B

According regulations:
EN61558 EN60950 EN60472 UL506
UL5085

Customized voltages



SERIE	D-mm	H-mm
T200	198	85

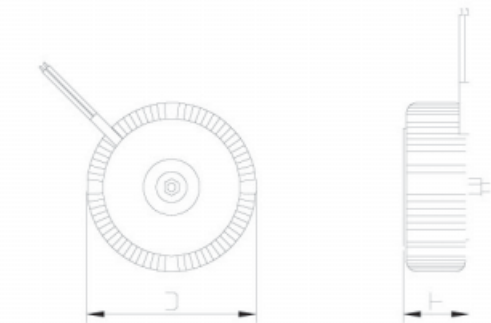
T300 Serie

External protection

T300 Serie.
3000VA – 40°C/B

According regulations:
EN61558 EN60950 EN60472 UL506
UL5085

Customized voltages



SERIE	D-mm	H-mm
T300	225	92

Ringkerntransformatoren Toroidal Transformers

POWER	Series	PRIMARY 230V 50/60HZ														Dimensions (mm)		Weight (kg)		
		SINGLE SECONDARY														Out. Diamet.	Height			
		6 V	10 V	12 V	15 V	18 V	22 V	24 V	30 V	35 V	40 V	60 V	80 V	100 V	120 V					
20 VA	T 002XXX	106	110	112	115	118	122	124	130	135	140	160	180					80	30	0,37
	Is - A	3,33	2	1,66	1,33	1,11	0,9	0,83	0,66	0,57	0,5	0,33	0,25					80	30	0,53
30 VA	T 003XXX	106	110	112	115	118	122	124	130	135	140	160	180					80	30	0,53
	Is - A	5	3	2,5	2	1,66	1,36	1,25	1	0,85	0,75	0,5	0,37					80	30	0,53
40 VA	T 004XXX	106	110	112	115	118	122	124	130	135	140	160	180					80	33	0,56
	Is - A	6,66	4	3,33	2,66	2,22	1,81	1,66	1,33	1,14	1	0,66	0,5					80	33	0,56
50 VA	T 005XXX	106	110	112	115	118	122	124	130	135	140	160	180					90	35	0,67
	Is - A	8,33	5	4,16	3,33	2,77	2,27	2,08	1,66	1,42	1,25	0,83	0,62					90	35	0,67
60 VA	T 006XXX	106	110	112	115	118	122	124	130	135	140	160	180					90	35	0,75
	Is - A	10	6	5	4	3,33	2,72	2,5	2	1,71	1,5	1	0,75					90	35	0,75
80 VA	T 008XXX	106	110	112	115	118	122	124	130	135	140	160	180					100	35	0,98
	Is - A	13,3	8	6,66	5,33	4,44	3,63	3,33	2,66	2,28	2	1,33	1					100	35	0,98
120 VA	T 012XXX	106	110	112	115	118	122	124	130	135	140	160	180					100	35	1,37
	Is - A	20	12	10	8	6,66	5,45	5	4	3,42	3	2	1,5					100	35	1,37
160 VA	T 016XXX	118																120	37	1,68
	Is - A	8,88																120	37	1,68
200 VA	T 020XXX	118																120	52	2,15
	Is - A	11,1																120	52	2,15
250 VA	T 025XXX	118																120	52	2,43
	Is - A	13,8																120	52	2,43
330 VA	T 033XXX	118																120	52	2,95
	Is - A	18,3																120	52	2,95
500 VA	T 050XXX	130																150	65	4,23
	Is - A	16,6																150	65	4,23
750 VA	T 075XXX	140																155	68	5,75
	Is - A	18,7																155	68	5,75
1000 VA	T 100XXX	160																160	68	6,92
	Is - A	16,6																160	68	6,92
1500 VA	T 150XXX	160																195	75	10,6
	Is - A	25																195	75	10,6
2000 VA	T 200XXX	198																198	85	12,8
	Is - A	19,6																198	85	12,8
3000 VA	T 300XXX	225																225	92	19,6
	Is - A	19,6																225	92	19,6

POWER	Series	PRIMARY 230V 50/60Hz DUAL SECONDARY 2 X () V.																Dimensions (mm)		Weight (kg)
		2 x 6 V	2 x 10 V	2 x 12 V	2 x 15 V	2 x 18 V	2x 22 V	2 x 24 V	2 x 30 V	2 x 35 V	2 x 40 V	2 x 50 V	2 x 55 V	2 x 60V	2 x 80V	Out. Diamet.	Height			
20 VA	T 002XXX	206	210	212	215	218	222	224	230									80	30	0,37
	Is - A	2x1,67	2x1	2x0,83	2x0,67	2x0,56	2x0,45	2x0,41	2x0,33										80	30
30 VA	T 003XXX	206	210	212	215	218	222	224	230									80	30	0,53
	Is - A	2x2,5	2x1,5	2x1,25	2x1	2x0,83	2x0,68	2x0,62	2x0,5										80	33
40 VA	T 004XXX	206	210	212	215	218	222	224	230									80	33	0,56
	Is - A	2x3,33	2x2	2x1,67	2x1,33	2x1,11	2x0,91	2x0,83	2x0,67										80	33
50 VA	T 005XXX	206	210	212	215	218	222	224	230									90	35	0,67
	Is - A	2x4,16	2x2,5	2x2,08	2x1,66	2x1,38	2x1,14	2x1,04	2x0,83										90	35
60 VA	T 006XXX	206	210	212	215	218	222	224	230									90	35	0,75
	Is - A	2x5	2x3	2x2,5	2x2	2x1,67	2x1,36	2x1,25	2x1										90	35
80 VA	T 008XXX	206	210	212	215	218	222	224	230									100	35	0,98
	Is - A	2x6,66	2x4	2x3,33	2x2,67	2x2,22	2x1,82	2x1,66	2x1,33										100	35
120 VA	T 012XXX	206	210	212	215	218	222	224	230									100	35	1,37
	Is - A	2x10	2x6	2x5	2x4	2x3,33	2x2,73	2x2,5	2x2										100	35
160 VA	T 016XXX	210	210	212	215	218	222	224	230									120	37	1,68
	Is - A	2x8	2x6,67	2x6,67	2x5,33	2x4,44	2x3,64	2x3,33	2x2,67										120	37
200 VA	T 020XXX	210	210	212	215	218	222	224	230									120	52	2,15
	Is - A	2x10	2x8,33	2x8,33	2x6,67	2x5,56	2x4,55	2x4,16	2x3,33										120	52
250 VA	T 025XXX	212	212	215	215	218	222	224	230									120	52	2,43
	Is - A	2x10,4	2x8,33	2x8,33	2x6,95	2x6,95	2x5,68	2x5,20	2x4,17										120	52
330 VA	T 033XXX	215	215	218	218	222	224	230	235									120	52	2,95
	Is - A	2x11	2x9,16	2x9,16	2x7,5	2x7,5	2x6,87	2x5,5	2x4,71										120	52
500 VA	T 050XXX	215	215	218	218	222	224	230	235									150	65	4,23
	Is - A	2x16,6	2x13,8	2x11,36	2x10,4	2x8,33	2x7,14	2x6,25	2x5,30										150	65
750 VA	T 075XXX	224	224	230	230	235	240	240	250									155	68	5,75
	Is - A	2x15,6	2x12,5	2x10,71	2x9,37	2x7,5	2x6,25	2x5,54	2x4,54										155	68
1000 VA	T 100XXX	230	230	235	240	240	250	255	260									160	68	6,92
	Is - A	2x16,6	2x14,28	2x12,5	2x10,71	2x9,37	2x7,5	2x6,25	2x5,54										160	68
1500 VA	T 150XXX	230	230	235	240	240	250	255	260									195	75	10,6
	Is - A	2x25	2x21,42	2x18,75	2x15	2x13,63	2x12,5	2x9,38	2x8,38										195	75
2000 VA	T 200XXX	Customized																198	85	12,8
	Is - A	Customized																198	85	12,8
3000 VA	T 300XXX	Customized																225	92	19,6
	Is - A	Customized																225	92	19,6