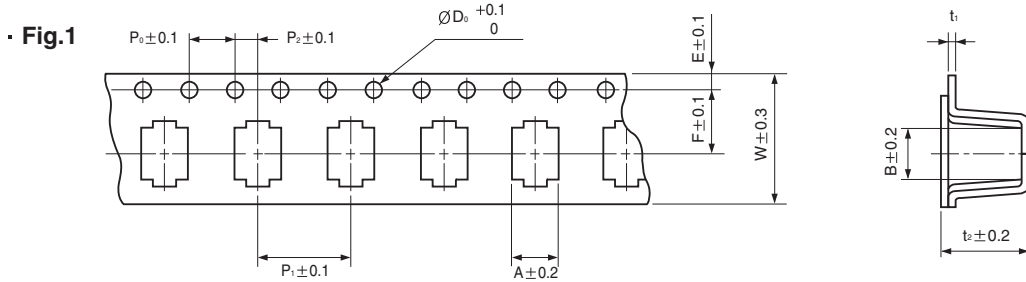


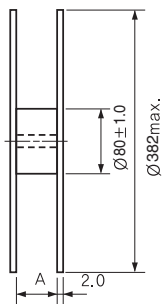
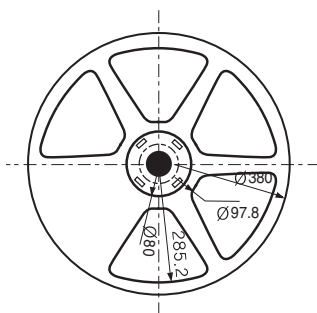
● Taping Specifications for Chip Type Capacitors

● Carrier Tape

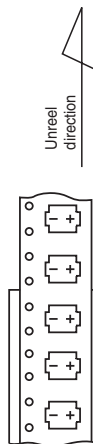


ØD×L	A	B	ØD ₀	E	F	P ₀	P ₁	P ₂	t ₁	t ₂	W
6.3 × 7.7	7.0	7.0	1.5	1.75	7.5	4.0	12.0	2.0	0.4	8.2	16.0
8 × 10	8.7	8.7	1.5	1.75	11.5	4.0	16.0	2.0	0.4	11.0	24.0
10 × 10	10.7	10.7	1.5	1.75	11.5	4.0	16.0	2.0	0.4	11.0	24.0
10 × 12.5	10.7	10.7	1.5	1.75	11.5	4.0	16.0	2.0	0.5	13.0	24.0

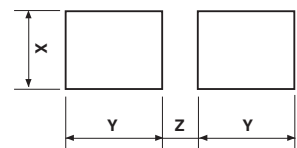
● Reel (Taping code : VR, VG)



● Polarity



● Recommended Land Size



ØD×L	A	ØD×L	Q'ty/Reel(pcs.)	Q'ty/Box(pcs.)
6.3 × 7.7	16	6.3 × 7.7	900	9000
8 × 10	24	8 × 10	500	5000
10 × 10	24	10 × 10	500	5000
10 × 12.5	24	10 × 12.5	400	4000

Type	ØD×L	X	Y	Z
VR	6.3×7.7	1.6	3.5	2.0
	8×10	2.5	3.5	3.0
	10×10	2.5	4.0	4.0
	10×12.5	2.5	4.0	4.0
VG	6.3×7.7	3.0	4.0	1.6
	8×10	4.3	5.3	2.0
	10×10	4.3	5.6	3.3
	10×12.5	4.3	5.6	3.3