

LARGE ALUMINUM ELECTROLYTIC CAPACITORS

AK, AJ For Inverter Air-conditionings

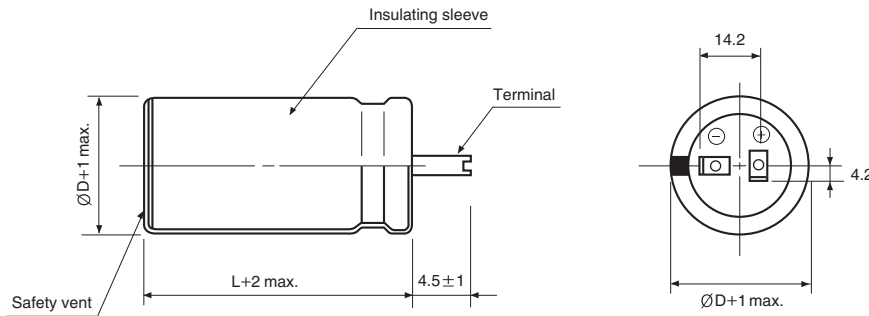
- For high ripple current application such as air conditioning system
- AK, AJ series is load life of 3000, 5000 hours at 105°C



Item	Characteristics	
Operating temperature range	-40 ~ +105°C	
Capacitance tolerance	±10% at 120Hz, 20°C	
Leakage current max.	$I=3\sqrt{CV}$ (µA) (after 5 minutes)	
Dissipation factor (120Hz, 20°C)	WV	450
	tanδ	0.20
Low temperature characteristics (Impedance ratio at 120Hz)	Z(-25°C) / Z(+20°C)	8
	Z(-40°C) / Z(+20°C)	16
Load life	The following specifications shall be satisfied when the capacitors are restored to 20°C after subjected to DC voltage with the rated ripple current is applied for AK:3000, AJ:5000 hours at 105°C	
	Leakage current	Less than specified value
	Capacitance change	Within ±20% of initial value
Shelf life(at 105°C)	After 1000 hours no load test, leakage current, capacitance and tanδ are same as load life value. The measurement shall be performed at 20°C by the KS C IEC 60384 - 4	

● DRAWING

Unit : mm



WV	SERIES µF ØD	AK				AJ			
		30		35		30		35	
450	470	30 × 60	2,30	35 × 45	2,30				
	560	30 × 60	2,85	35 × 50	2,85	30 × 60	2,85	35 × 50	2,85
	680	30 × 70	3,34	35 × 60	3,34	30 × 70	3,34	35 × 60	3,34
	820			35 × 70	3,52			35 × 70	3,52

