

# AR,AL For Inverter Air-conditionings

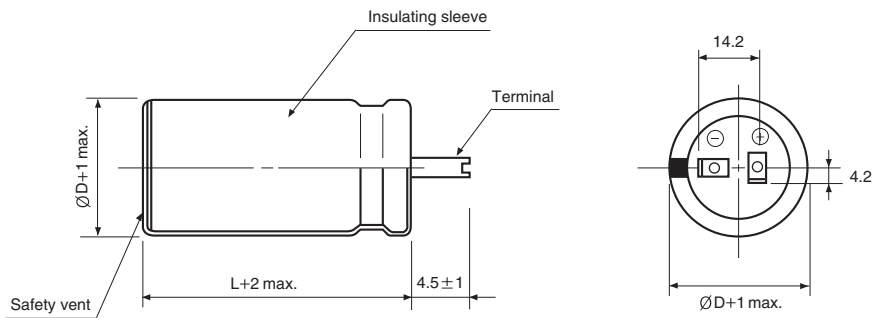
- For high ripple current application such as air conditioning system
- AR, AL series is load life of 3000, 5000 hours at 85°C



Item	Characteristics		
Operating temperature range	-40 ~ +85°C		
Capacitance tolerance	± 10% at 120Hz, 20°C		
Leakage current max.	$I=3 \sqrt{CV}$ (µA) (after 5 minutes)		
Dissipation factor (120Hz, 20°C)	WV	400	450
	tanδ	0.15	0.20
Low temperature characteristics (Impedance ratio at 120Hz)	WV	400	450
	Z-25°C / Z+20°C	4	8
	Z-40°C / Z+20°C	8	16
Load life	The following specifications shall be satisfied when the capacitors are restored to 20°C after subjected to DC voltage with the rated ripple current is applied for AR:3000, AL:5000 hours at 85°C		
	Leakage current	Less than specified value	
	Capacitance change	Within ± 20% of initial value	
	tanδ	Less than 200% of specified value	
Shelf life(at 85°C)	After 1000 hours no load test, leakage current, capacitance and tanδ are same as load life value. The measurement shall be performed at 20°C by the KS C IEC 60384 - 4		

● DRAWING

Unit : mm



WV	SERIES		AR		AL	
	µF	ØD	30	35	30	35
400	560		30 × 55 2.80	35 × 45 2.70		
	680		30 × 60 3.20	35 × 50 3.10		
	820		30 × 70 4.00	35 × 60 4.00		
	1000			35 × 70 5.00		35 × 60 4.00
450	560		30 × 60 2.70	35 × 50 2.60	30 × 60 3.12	35 × 50 3.12
	680		30 × 70 3.10	35 × 60 3.00	30 × 70 4.00	
	820			35 × 70 4.00	← Case size ØD×L (mm)	35 × 70 4.80

↑ Ripple current (A rms) at 85°C, 120Hz