

CONDUCTIVE POLYMER HYBRID ALUMINUM ELECTROLYTIC CAPACITORS

Upgrade

YC

Chip type, Standard Series

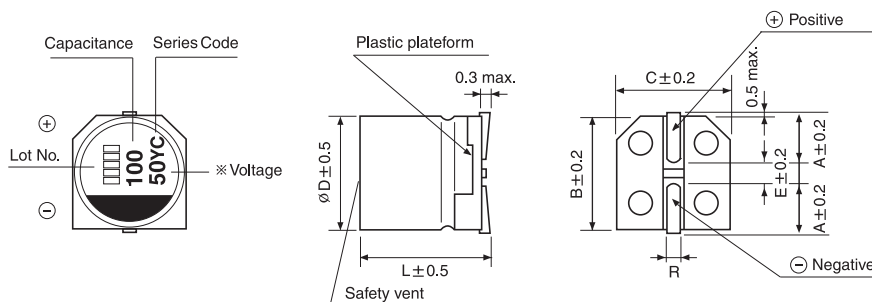


- Endurance with ripple current: 10000 hours at 105°C
- Complied to the RoHS directive

Item	Characteristics					
Operating temperature range	-55 ~ +105°C					
Leakage current max.	$I = 0.01CV$ or $3\mu A$ whichever is greater (after 2 minutes)					
Capacitance tolerance	$\pm 20\%$ at 120Hz, 20°C					
Dissipation factor max. (at 120Hz, 20°C)	WV	16	25	35	50	63 ~ 100
	tan δ	0.16	0.14	0.12	0.10	0.08
Low temperature characteristics (Impedance ratio at 100kHz)	$Z(-25^\circ C) / Z(+20^\circ C) \leq 1.5$ $Z(-55^\circ C) / Z(+20^\circ C) \leq 2.0$					
Load life	After an application of DC bias voltage plus the rated AC ripple current for 10000 hours at 105°C. The measurement shall meet the following limits. The DC voltage plus the peak AC voltage combined must not exceed the rated voltage.					
	Capacitance change	Within $\pm 30\%$ of initial value				
	tan δ	Less than 200% of the specified value				
	ESR	Less than 200% of the specified value				
	Leakage current	Less than specified value				
Shelf life (at 105°C)	After 1000 hours no load test, leakage current, capacitance and tan δ are same as load life value. The measurement shall be performed at 20°C by the KS C IEC 60384 - 4					
Resistance to soldering heat	The following specifications shall be satisfied when the capacitors are restored to 20°C after exposing them at 250°C for 10 seconds.					
	Leakage current	Less than specified value				
	Capacitance change	Within $\pm 10\%$ of initial value				
	tan δ	Less than specified value				

DRAWING

Unit : mm



$\phi D \times L$	A	B	C	E	R
6.3 × 7.7	2.4	6.6	6.6	2.2	0.5~0.8
8 × 10	2.9	8.3	8.3	3.1	0.8~1.1
10 × 10	3.2	10.3	10.3	4.5	0.8~1.1
10 × 12.5	3.2	10.3	10.3	4.5	0.8~1.1

YC series

● DIMENSIONS & MAXIMUM PERMISSIBLE RIPPLE CURRENT

μF \diagdown WV	16			25			35		
47							6.3×7.7	35	2000
68				6.3×7.7	30	2000	6.3×7.7	35	2000
100				6.3×7.7	30	2000	8×10	27	2300
150	6.3×7.7	27	2200	8×10	27	2300	8×10	27	2300
							10×10	20	2500
220				8×10	27	2300			
270	8×10	22	2500	10×10	20	2500	10×10	20	2500
330				10×10	20	2500	10×12.5	17	2800
470	10×10	18	2600	10×12.5	16	2800			
560	10×12.5	14	3000						

μF \diagdown WV	50			63			80		
10				6.3×7.7	80	1500			
15	6.3×7.7	40	1600						
22				6.3×7.7	80	1500	8×10	45	1600
				8×10	40	1600			
33	6.3×7.7	40	1600	8×10	40	1600			
	8×10	30	1800	10×10	30	1800			
39							10×10	35	1700
47	8×10	30	1800				10×12.5	32	1800
56	10×10	25	2000	10×10	30	1800			
68	10×10	25	2000	10×12.5	22	2100			
100	10×10	25	2000						
150	10×12.5	19	2300						

μF \diagdown WV	100		
10	8×10	60	1450
15	10×10	45	1500
18	10×12.5	40	1580

Ripple current (mA rms) at 105°C, 100kHz
 ESR (mΩ) at 20°C, 100kHz
 Case size $\varnothing D \times L$ (mm)

● FREQUENCY COEFFICIENT OF PERMISSIBLE RIPPLE CURRENT

Frequency	120Hz	1kHz	10kHz	100kHz
Coefficient	0.05	0.30	0.70	1.00