

Green-Cap (ELECTRIC DOUBLE LAYER CAPACITORS)

DB Snap-in Terminal Type,
Standard Series

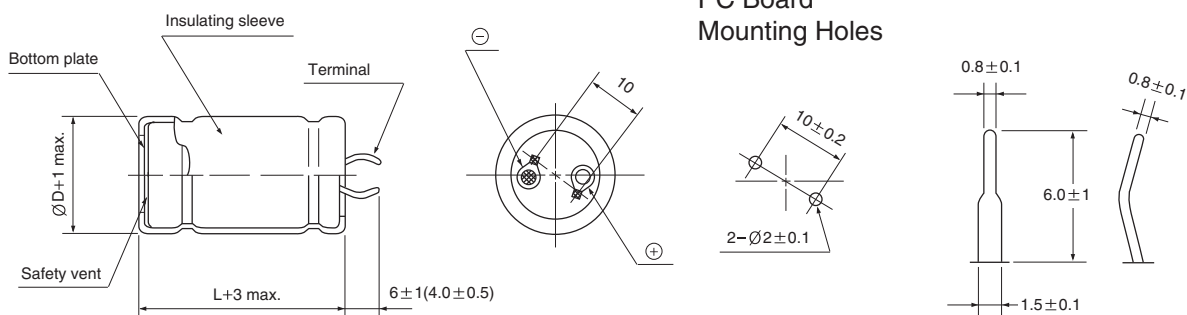


- Endurance : 2.5V 70°C 2000 hours, 2.7V 65°C 2000 hours
- The middle size and high capacitance, low resistance
- Charge and discharge efficiency are higher than in batteries

Item	Characteristics	
Operating temperature range	-25 ~ +70°C	-40 ~ +65°C
Rated Voltage	2.5 VDC	2.7 VDC
Capacitance tolerance	-20 ~ +20% or 0% ~ +20% at 20°C	
Temperature characteristics	Capacitance change	Within $\pm 5\%$ of initial value at +20°C
	Internal resistance change	Within 50% of initial value at +20°C
Endurance (2.5V:70°C, 2.7V:65°C)	Test time	2000 hours
	Capacitance change	Within $\pm 30\%$ of specified value
	Internal resistance change	Less than 100% of specified value
Shelf life (2.5V:70°C, 2.7V:65°C)	After 2000 hours no load test same as endurance	
Life Time at RT ⁽¹⁾	10 years	(1) $ \Delta CI < 30\%$ and $\Delta ESR < 100\%$ of specified value, respectively and $LC < \text{specified value}$
Cycle Life (25°C) ⁽¹⁾⁽²⁾	500,000 cycles	(2) Cycle : between rated voltage and half rated voltage under constant current at 25°C

DRAWING

Unit : mm



CHARACTERISTIC LIST & DIMENSIONS

Rated Voltage	Capacitance (F)	ESR, 1KHz (mΩ)	ESR, DC (mΩ)	LC (72hr) (mA)	Max Continuous Current(A)		Max Peak Current(A)	Specific Energy		Weight (g)	Volume (ml)	Dimension $\varnothing D \times L$ (mm)
					$\Delta T=15^\circ\text{C}$	$\Delta T=40^\circ\text{C}$		(Wh/kg)	(Wh/L)			
2.5	100	15.0	35.0	0.25	6.0	10.0	27.7	3.62	5.07	24	17	22 × 45
	200	10.0	20.0	0.50	8.0	130	50.0	4.13	5.46	42	32	30 × 45
	300	6.0	15.0	0.75	9.5	15.5	68.2	4.20	5.41	62	48	35 × 50
	360	6.0	12.0	0.90	12.0	19.5	84.6	4.17	5.41	75	58	35 × 60
	400	6.0	10.0	1.00	13.0	21.0	100.0	4.63	6.01	75	58	35 × 60
2.7	100	7.0	9.0	0.26	12.5	20.0	71.1	4.82	5.92	21	17	22 × 45
	120	7.0	9.0	0.32	12.5	20.0	77.9	5.28	6.80	23	18	22 × 47
	200	6.0	8.0	0.54	13.0	21.0	103.8	5.33	6.37	38	32	30 × 45
	300	3.5	5.0	0.81	16.0	26.5	162.0	5.33	6.31	57	48	35 × 50
	360	3.0	3.2	0.75	23.0	38.0	225.8	5.13	6.31	71	58	35 × 60
	400	3.0	3.2	0.83	23.0	38.0	236.8	5.70	7.02	71	58	35 × 60
	400	2.8	3.0	1.00	25.0	40.0	245.5	5.06	6.48	80	63	35 × 65
	450	2.8	3.0	1.00	25.0	40.0	258.5	5.18	6.77	88	67	35 × 70
	500	2.9	3.1	1.10	25.0	40.0	264.7	5.69	7.52	89	67	35 × 70
	600	3.0	3.2	1.30	25.0	40.0	277.4	6.75	9.02	90	67	35 × 70
600	2.8	3.0	1.30	25.0	40.0	289.3	6.08	7.43	100	82	35 × 85	

※ $\varnothing 35$ 4 pin type terminal drawing is same see pages.