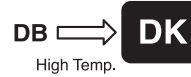


DK Snap-in Terminal Type, High Temperature Series

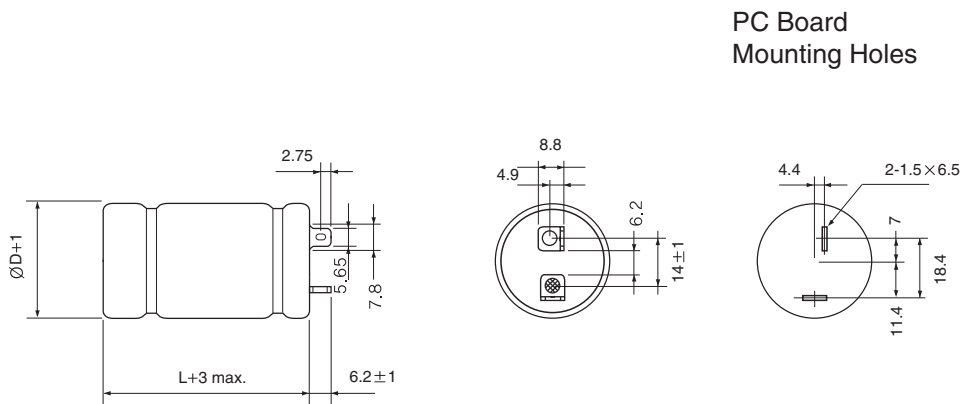
- Endurance : 2.7V 85°C 1500 hours
- The middle size and high capacitance, low resistance
- Charge and discharge efficiency are higher than in batteries



Item	Characteristics	
Operating temperature range	-40 ~ +85°C	
Rated Voltage	2.7 VDC	
Capacitance tolerance	0% ~ +20%	
Temperature characteristics	Capacitance change	Within ±5% of initial value at +20°C
	Internal resistance change	Within 50% of initial value at +20°C
Endurance (85°C)	Test time	1500 hours
	Capacitance change	Within ±30% of specified value
	Internal resistance change	Less than 100% of specified value
Shelf life (85°C)	After 1500 hours no load test same as endurance	
Life Time at RT ⁽¹⁾	10 years	(1) ΔC < 30% and ΔESR < 100% of specified value, respectively and LC < specified value
Cycle Life (25°C) ⁽¹⁾⁽²⁾	500,000 cycles	(2) Cycle : between rated voltage and half rated voltage under constant current at 25°C

DRAWING

Unit : mm



CHARACTERISTIC LIST & DIMENSIONS

Rated Voltage	Capacitance (F)	ESR, 1KHz (mΩ)	ESR, DC (mΩ)	LC (72hr) (mA)	Max Continuous Current(A)		Max Peak Current(A)	Specific Energy		Weight (g)	Volume (ml)	Dimension ØD×L(mm)
					ΔT=15°C	ΔT=40°C		(Wh/kg)	(Wh/L)			
2.7	100	8.0	10.0	0.27	12.0	19.0	68	4.82	5.92	21	17	22 × 45
	200	7.0	9.0	0.54	12.5	20.0	96	5.33	6.37	38	32	30 × 45
	300	3.5	5.0	0.81	16.5	27.0	162	5.33	6.31	57	48	35 × 50
	360	3.2	3.8	0.97	21.5	35.0	205	5.13	6.31	71	58	35 × 60
	400	3.2	3.8	1.08	21.5	35.0	214	5.70	7.02	71	58	35 × 60